

Product Specification

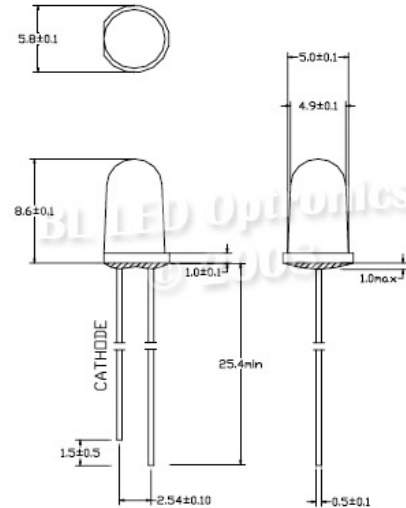
Features

- ▶ Model No. : 5mm20D13000C_White
- ▶ Chip material : InGaN
- ▶ Long-Life - up to 50,000-100,000 hours
- ▶ RoHS Compliant

Description

- ▶ Super Bright LED Lamp
- ▶ Round / Clear Type
- ▶ With Flange
- ▶ Solder leads without stand-off

Dimensions (mm)



Absolute Maximum Ratings

Parameter	Symbol	Max.	Unit
Power Dissipation	Pd	120	mW
Peak Forward Current	Ipf	100	mA
Continuous Forward Current	Iaf	30	mA
Reverse Voltage	Vr	5	V
Operating Temp.	Topr	-25 to + 85	°C
Storage Temp.	Tstg	-25 to + 85	°C

Solder temperature 1.6 mm from body for 3 seconds at 260 °C

Optical-electrical characteristics

Parameter	Symbol	Test Condition	Min.	Typical	Max	Unit
Luminous intensity	Iv	IF =20mA	13000	15000		mcd
Forward Voltage	Vf	IF =20mA		3.3	3.6	V
Reverse Current	Ir	VR =5V			10	µA
Viewing Angle	2θ1/2	IF =20mA		20		Deg.
Wavelength	λD	IF =20mA		N/A		nm
Spectrum radiation bandwidth	Δλ	IF =20mA		30		nm